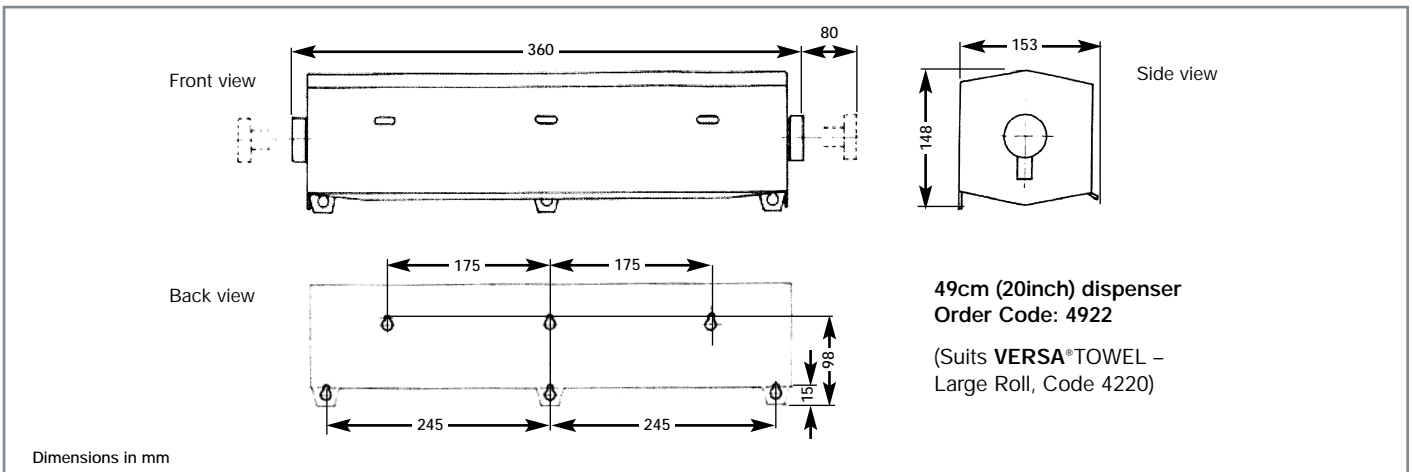
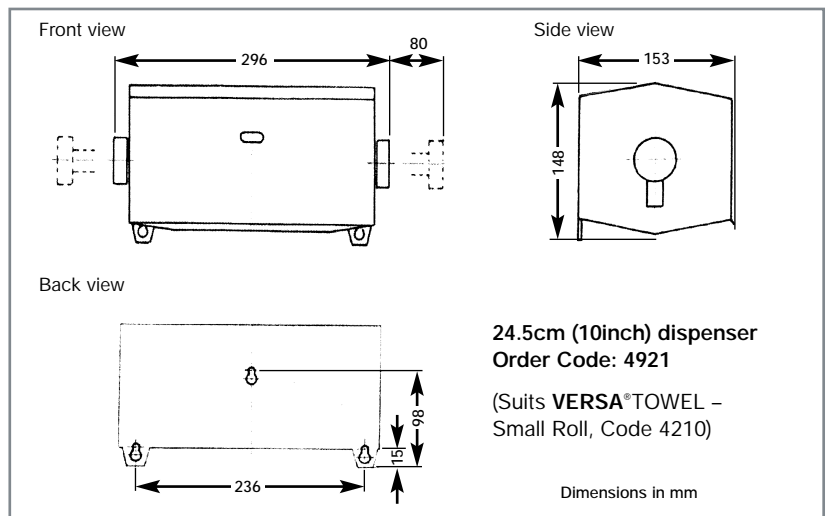


VERSA®TOWEL dispensers

VERSA®TOWEL dispensers are designed to be wall mounted for easy and economical measured dispensing of the perforated roll format VERSA®TOWEL.

They are made from durable, white PS plastic and are available in Small (24.5cm) and Large (49cm) sizes.



Your distributor:

Kimberly-Clark Australia Pty Limited
 ABN 65 000 032 333
 52 Alfred Street, Milsons Point NSW 2061
 Australia
 To Order: 1800 810 077
 Health Care Advisory Service:
 1800 101 021
 Fax: 1800 812 255
 Internet: www.kca.com.au/HealthCare

Kimberly-Clark New Zealand
 Level 1, 86 Plunket Avenue,
 Manukau City
 Auckland, New Zealand
 Phone: (09) 250 2521
 Fax: (09) 250 2511
 Internet: www.kca.com.au/HealthCare